



CC series

offline coolers

Oil/air offline cooler TT rail - CC

230/400V 50Hz AC **asa rail**

General Data And Details

The oil / air coolers of our CC series are autonomous cooling systems with an integrated circulation pump. They work as a separate cooling unit or as a filter cooling unit with an adequate filter. The benefits of such circulation coolers are a constant cooling performance and a higher durability, because there are no pressure vibrations or peaks in the cooler unit.

Conditions of use:

Maximum oil temperature: 100°C, maximum air temperature: 50°C. Motors can be used up to an altitude of 1.500m. For other conditions of use please contact our engineers.

Noise level:

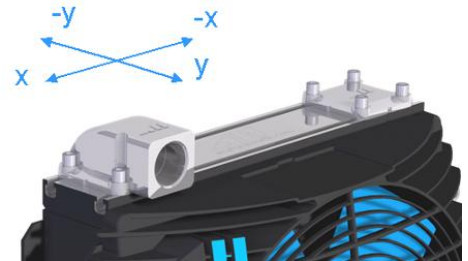
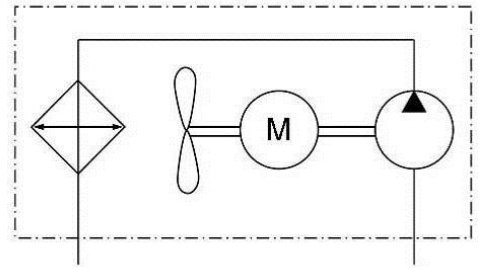
Noise levels are measured in accordance with 2006/42/EC and EN ISO 3744.

Dimensions:

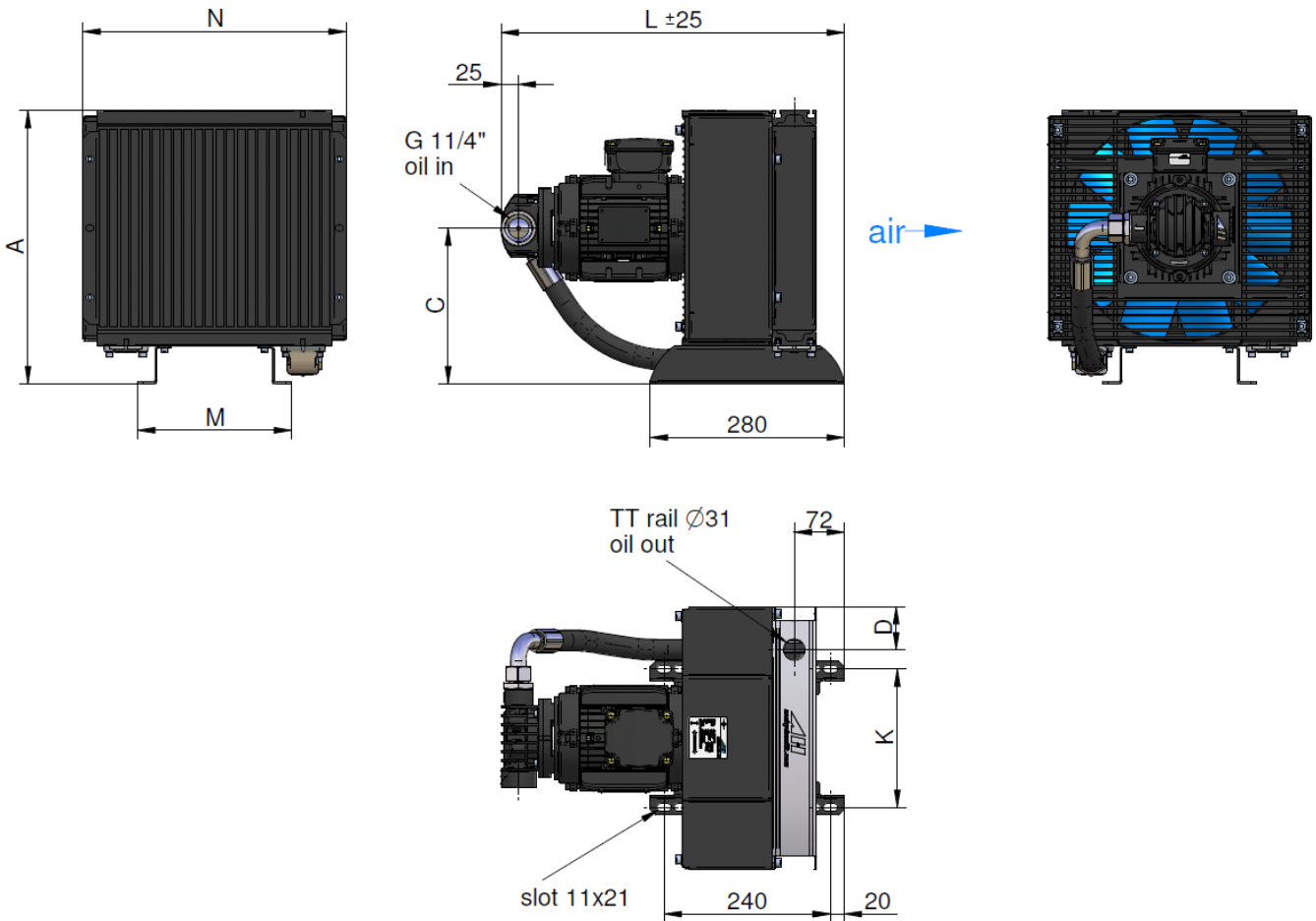
General tolerance according to DIN 2768-v

Connection **asa rail**

The **asa rail** system is the first worldwide flexible mounting and connection system for air blast heat exchangers. It gives you the free choice of the connector direction through turnable ports. The rail slots in the radiator are the frame structure not only for connecting the ports, also for various possible mounting arrangements such as bypass systems, mounting of the cooler to aggregates, measurement devices and much more. Please contact us to discover the huge potential of this system for your application.




Scale Drawing



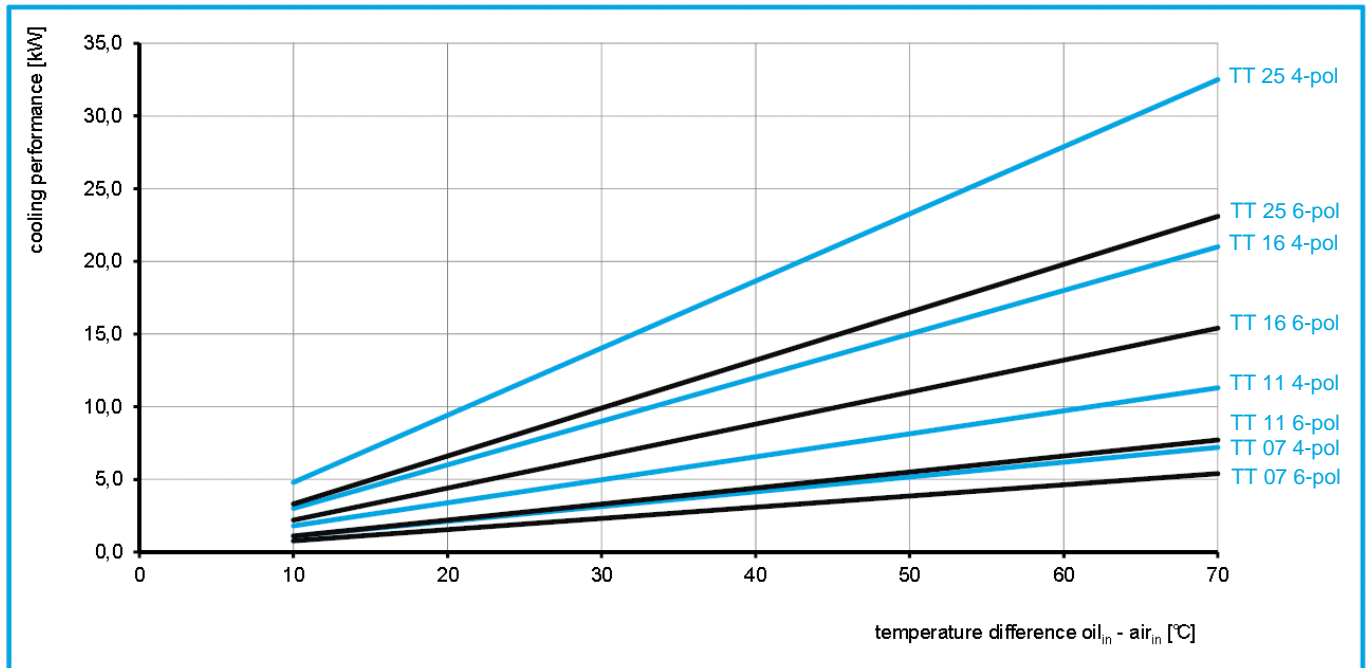
This data sheet shows a technical overview of our products. Please contact us if more exact information is needed. As we are constantly improving our products, their characteristics, dimensions and weights may also change, although we do our best to incorporate these changes continually. The information in this data sheet is intended to be used as a first general guideline only. asa assumes no liability for any information therein, any errors, omissions, misprints, nor any direct or indirect damages, losses or costs resulting therefrom. The cooling performance and the general technical values indicated in this catalogue are measured at a test bench according to asa testing procedures. Because there is no standardized testing procedure, tests used by other manufacturers could have different results. Due to different conditions in testing and application environments the cooling performance may also vary by +/- 15%. Therefore we recommend all coolers to be checked under the system operating conditions. This is also true of vibrations and mechanical stress as well as for pressure peaks and thermal stress and any other relevant factors.

Oil/air offline cooler TT rail - CC

230/400V 50Hz AC 



Performance



Technical Data

description	order number	oil flow	max. working pressure	motor power	motor current	rotation	air flow	noise level	weight	A	C	D	K	L	M	N
		[lpm]	[bar]	[kW]	[A]	[rpm]	[kg/s]	[dB(A)]	[kg]	[mm]	[mm]	[mm]	[mm]	[mm]	[mm]	[mm]
TT 07 rail CC 4-pol	ASATT07RA47CC	30	10	0,75	1,81	1430	0,28	65	25,2	355	205	72	135	493	157	320
TT 11 rail CC 4-pol	ASATT11RA47CC	30	10	0,75	1,81	1430	0,35	68	29,6	395	225	62	200	495	222	380
TT 16 rail CC 4-pol	ASATT16RA47CC	30	10	0,75	1,81	1430	0,72	74	34,4	520	288	65	200	511	222	460
TT 25 rail CC 4-pol	ASATT25RA47CC	30	7	0,75	1,81	1430	1,08	79	44,1	660	358	68	300	511	322	558
TT 07 rail CC 6-pol	ASATT07RA66CC	20	9	0,37	1,22	925	0,19	57	26	355	205	72	135	493	157	320
TT 11 rail CC 6-pol	ASATT11RA66CC	20	9	0,37	1,22	925	0,26	58	30,4	395	225	62	200	495	222	380
TT 16 rail CC 6-pol	ASATT16RA66CC	20	8	0,37	1,22	925	0,52	65	35,2	520	288	65	200	511	222	460
TT 25 rail CC 6-pol	ASATT25RA66CC	20	7	0,37	1,22	925	0,76	68	44,9	660	358	68	300	511	322	558

The maximum suction pressure is -0,4 bar. The viscosity range is <100cSt. Motor voltage: 230/400V @ 50Hz*. The protection level is IP55.

design

radiator material	aluminium
radiator air fin shape:	wavy
pump type	gerotor
pump material (housing)	aluminium
sheet metal material	powder coated steel
suitable fluids	mineral oil

connection (BSP 1")

ILLZATT53G25K	1 per cooler required
---------------	-----------------------

options

asa rail connectors	BSP 1 ¼"
temperature switch	50°C, 60°C
motor data *	alternative voltages, frequencies, protection classes, etc on request

Please read manual before installation!



progress in cooling



Austria

asa hydraulik GmbH
Prager Strasse 280
A-1210, Vienna
Tel.: +43 1 292 40 20
Fax: +43 1 292 40 70
support@asahydraulik.com

USA

asa hydraulik of America
160 Meister Avenue 20 A
Branchburg, New Jersey 08876
Tel.: +1 800 473 94 00
Fax: +1 908 541 15 50
sales_us@asahydraulik.com

China

asa hydraulik of Kunshan
江苏省昆山市千灯镇七浦西路25号
postcode: 215341
Tel.: +86 512 57950818
Fax: +86 512 57950898
kunshan@asahydraulik.com