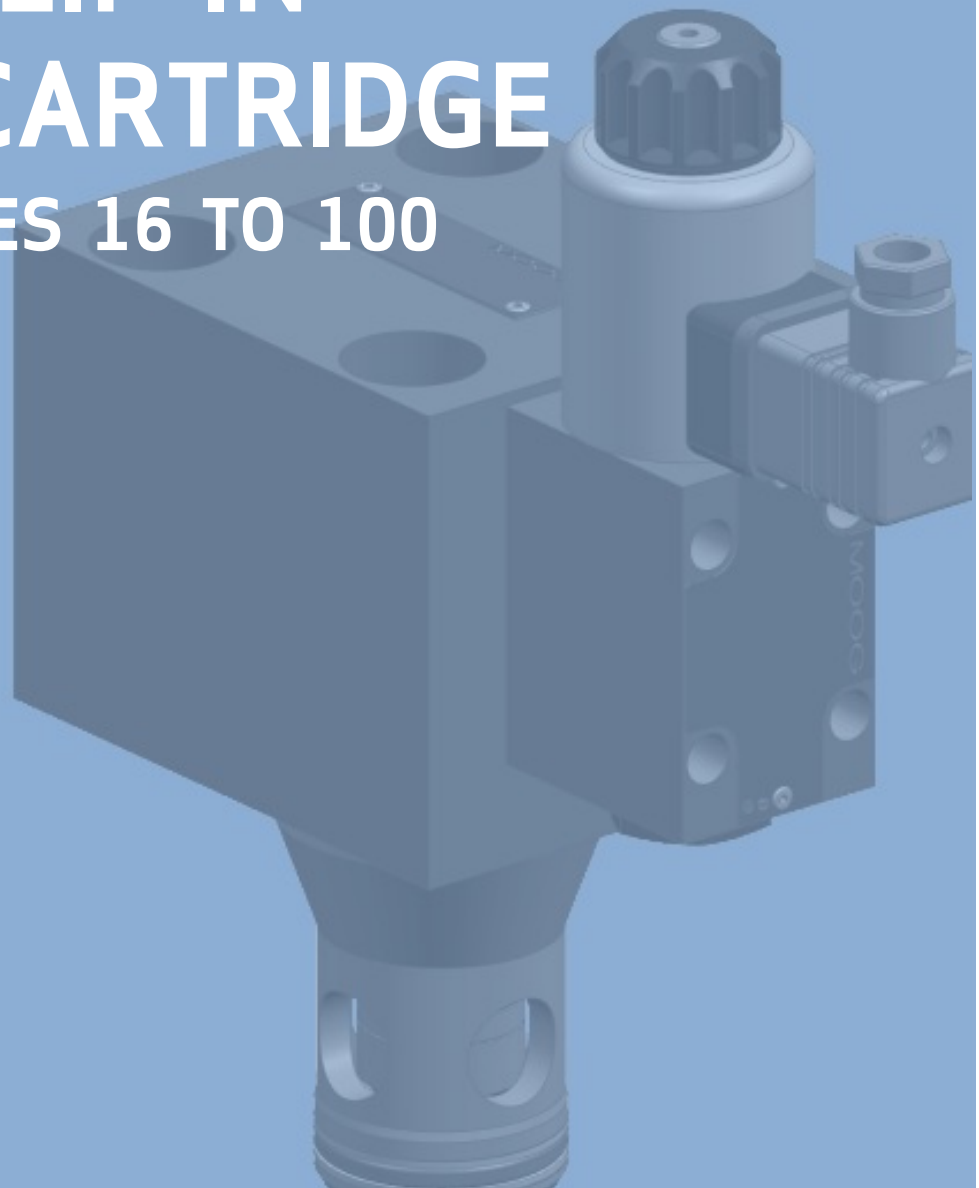


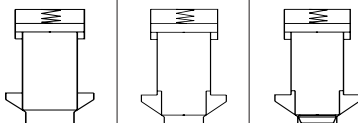
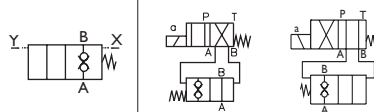
2-WAY SLIP-IN ACTIVE CARTRIDGE

ISO 7368 SIZES 16 TO 100



Rev. C, April 2015



Designation	Symbol	Page
General Description		4
Features and Types of Cones and Sleeves		5
Specifications and Characteristic Parameters		6
Performance Data		7-9
Standard Models X-Cone, S-Cone, T-Cone		10-12
Standard Models Covers		13
Typical Orifice Characteristics		14
Dimensions Hydraulically Operated, Solenoid Operated		15-16
Dimensions		17
Ordering Information		18-19
Configuration		20
Spare Parts		21

This catalogue is for users with technical knowledge. To ensure that all necessary characteristics for function and safety of the system are given, the user has to check the suitability of the products described herein. In case of doubt please contact Moog.

General Description

Moog Active Cartridge valve was designed to eliminate many of the limitations of Standard Cartridge Valves. The Active Cartridge contains an additional control area that provides more robust control of switching pressure for high speed and response machines where low system pressure can delay closing times. In essence, Active Cartridges have a double acting pilot piston for 4-way directional control of the cone or poppet, whereas a Standard Cartridge uses a single acting piston for 3-way control.

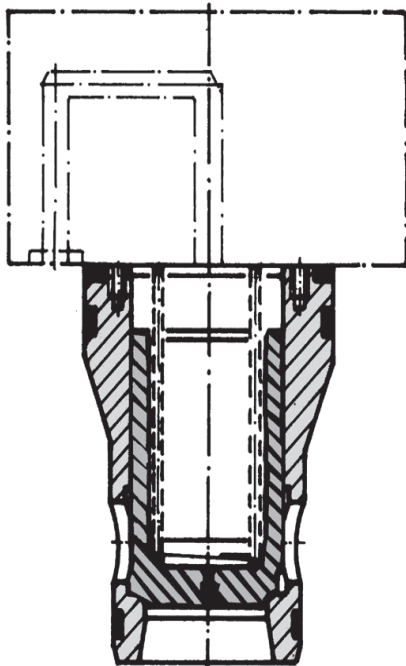
As a result, the Active Cartridge can offer improvements in:

- Closing time
- Opening time
- Closing under load

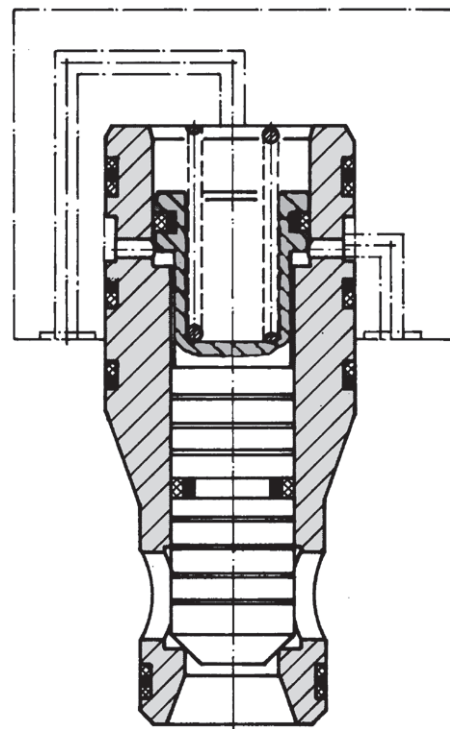
An Active Cartridge may be used for the following functions:

- Hydraulically pilot operated check or direction control
- Solenoid pilot operated check or direction control

Standard Cartridge



Active Cartridge



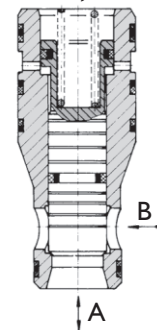
- All pilot and poppet seals create tight fit at all ports to prevent leakage in either direction
- Can operate without a spring when a defined spool position is not required and hydraulic system pressure is down
- Cartridge can be closed by a considerably lower control pressure at X due to the larger control surface area A_X (compared to the surface area A_A)
- Opening function and velocity of the cartridge are independent of the pressure in the working ports A and B
- Ability to be equipped with X-, S-, T-, and special cones
- Sizes NG16 to NG100 per ISO 7368

Types of Cones and Sleeves

Sleeve A, Cone X:

An active-cartridge with sleeve-A and cone-X (differential area $A_B = 0$) can be used for all directional and check functions where a larger flow area and lower pressure losses are desired. With non-active control, the flow of this cartridge can only be from A to B.

Sleeve A, Cone X

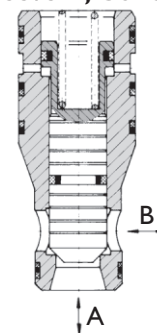


Sleeve B, Cone S:

Used in all directional, check, and flow control functions.

Due to the cone differential area $A_B > 0$, the flow direction can be chosen also with non-active control.

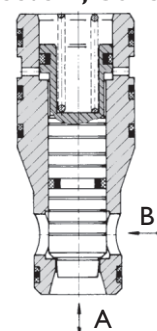
Sleeve B, Cone S



Sleeve B, Cone T:

Cone T, with a dampening nose, can be used to avoid additional pressure peaks in tank circuits or to obtain a better adjustment of flow control valves.

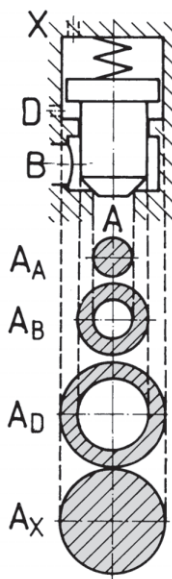
Sleeve B, Cone T



Specifications

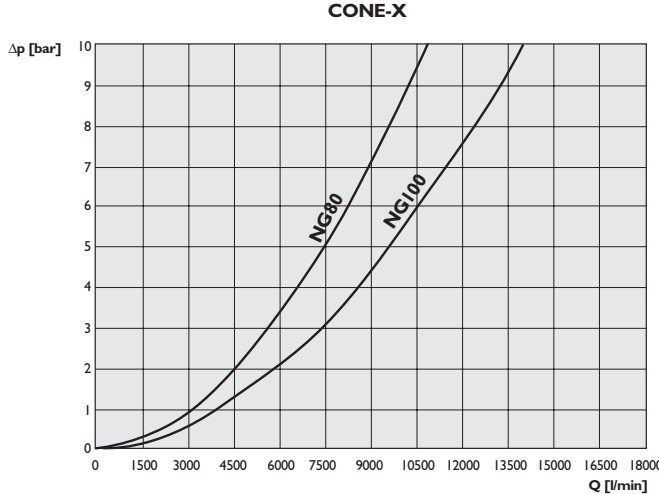
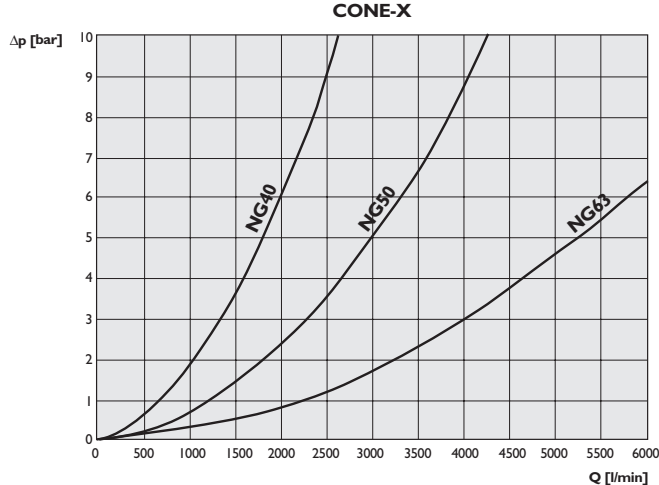
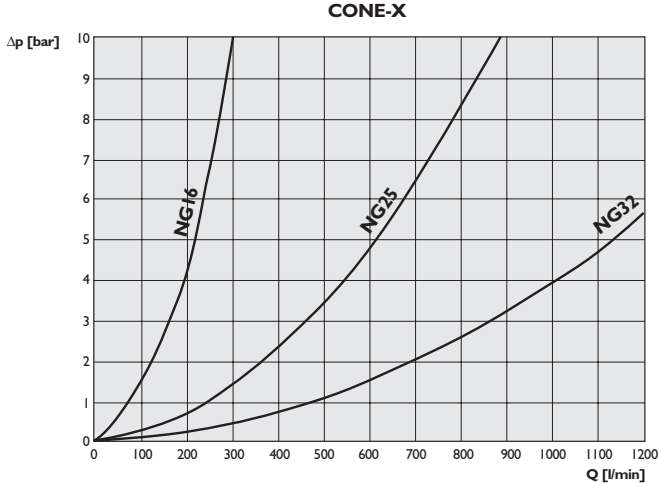
General Data	Value	Unit	Specifications
Designation and Symbol	—	—	2-way Slip-In Cartridge Valve
Mode of Construction	—	—	Pilot Operated Seat Valve
Mounting Type	—	—	Manifold Mounting
Mounting Pattern	—	—	ISO 7368:1989-08
Mounting Dimensions	—	—	See Mounting Dimensions Page 17
Mounting Position	—	—	Any
Flow Direction	—	—	A \leftrightarrow B
Ambient Temperature Range	min.	°C	-25°
	max.	°C	+60°
Working Pressure			
Inlet	max.	bar	350
Outlet	max.	bar	350
Temperature Range	min.	°C	-10 (FKM) -20 (NBR)
	max.	°C	+80°
Viscosity Range	min.	mm ² ·s ⁻¹ [cSt]	2,8
	max.	mm ² ·s ⁻¹ [cSt]	380
Operational Viscosity	V _n	mm ² ·s ⁻¹ [cSt]	35
Nominal Bore Size	—	mm	NG16 NG25 NG32 NG40 NG50 NG63 NG80 NG100
Weight	m	kg	0,4 0,8 1,5 3,2 5,5 11,2 24,1 39,2
Pilot Volume (S & T Cones)	V _x	cm ³	2,00 8,00 17,00 29,00 77,00 191,00 285,00 494,00
Pilot Volume (X Cone)	V _x	cm ³	2,03 7,70 17,10 32,60 77,00 190,50 285,00 492,50

Characteristic Parameters



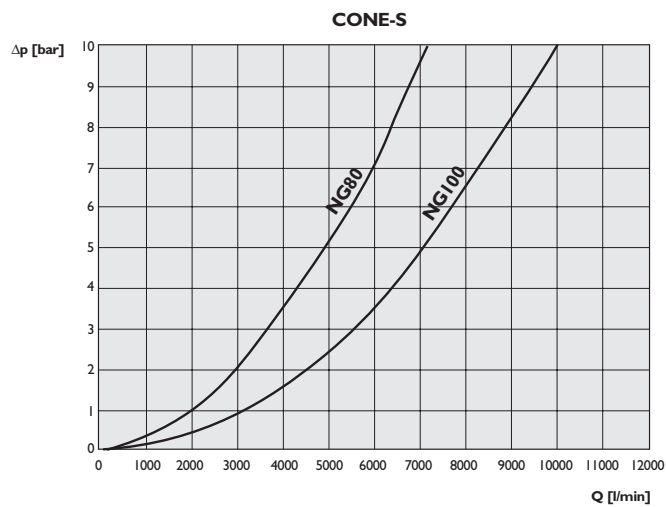
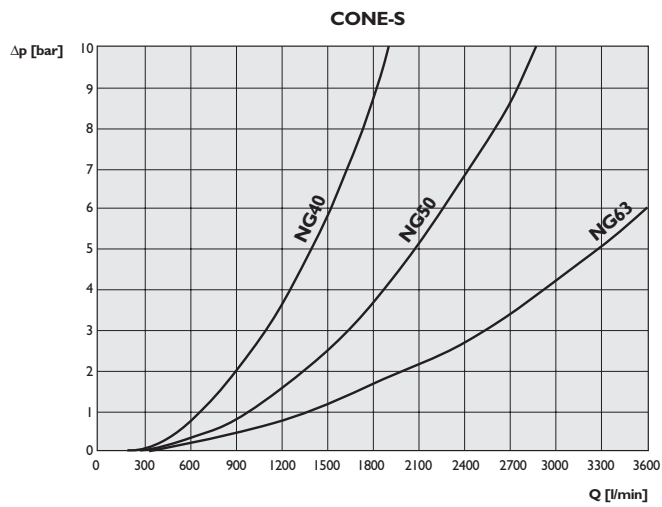
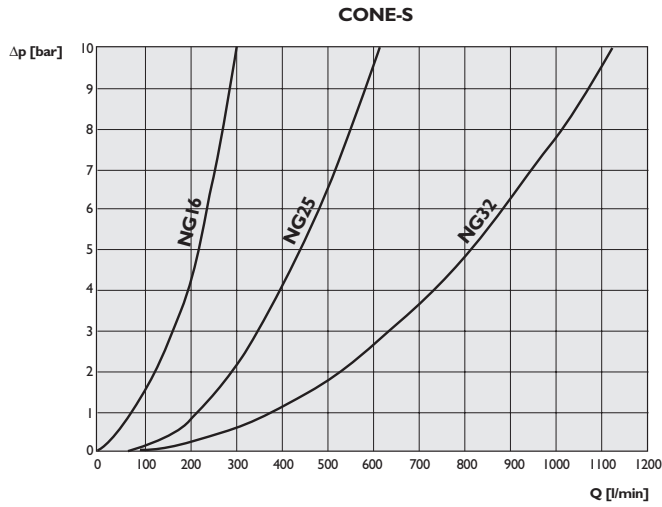
Reference Surface A _A								
	NG16	NG25	NG32	NG40	NG50	NG63	NG80	NG100
Cones S and T								
Stroke mm	6,5	12,5	15,0	15,0	20	30,0	30,0	35,5
A _A mm ²	123	227	452	804	1590	2642	3848	5675
A _A (Ref)								
A _B	0,64	0,67	0,56	0,41	0,49	0,46	0,47	0,68
A _D	0,92	1,04	0,95	1,03	0,93	0,95	1,00	0,77
A _X	2,56	2,71	2,51	2,44	2,42	2,41	2,47	2,45
Cone X								
Stroke mm	6,5	12,5	15,0	15,0	20,0	30,0	30,0	35,5
A _A mm ²	201	380	707	1257	2376	3848	5674	9503
A _A (Ref)								
A _B	—	—	—	—	—	—	—	—
A _D	0,56	0,62	0,61	0,73	0,62	0,65	0,68	0,46
A _X	1,56	1,62	1,61	1,73	1,62	1,65	1,68	1,46

Δp -Q-Diagrams



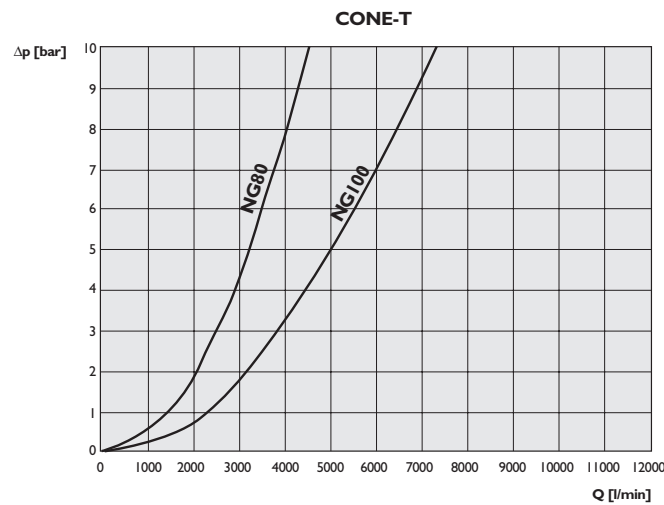
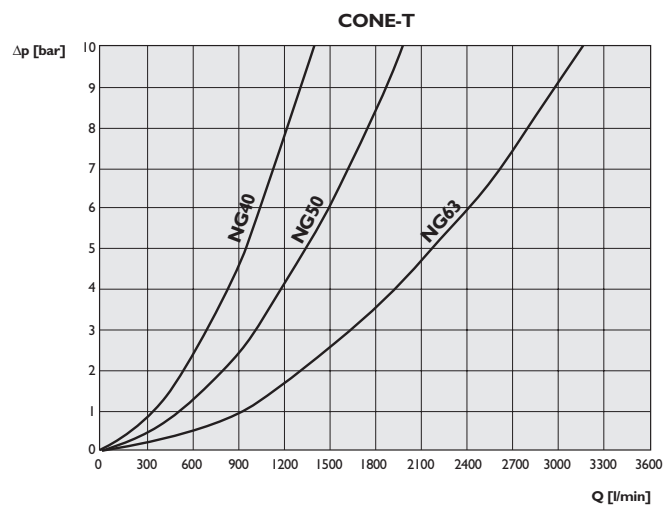
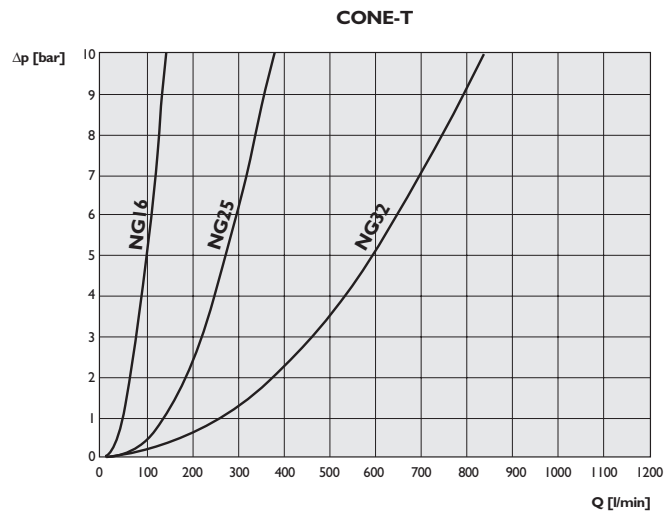
Measuring conditions: activ opened, Oil viscosity 35 mm²/s, oil temperature 50° C.

Δp -Q-Diagrams



Measuring conditions: activ opened, Oil viscosity 35 mm²/s, oil temperature 50° C.

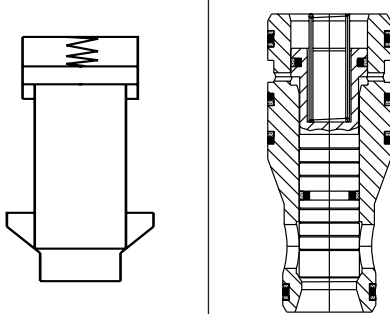
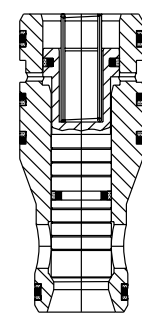
Δp-Q-Diagrams



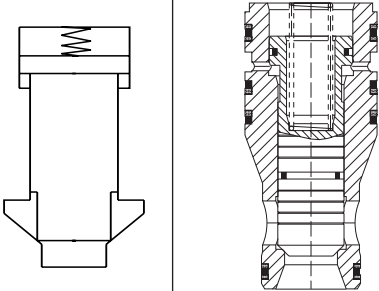
Measuring conditions: activ opened, Oil viscosity 35 mm²/s, oil temperature 50° C.

Standard Models

X-Cone for Directional Control

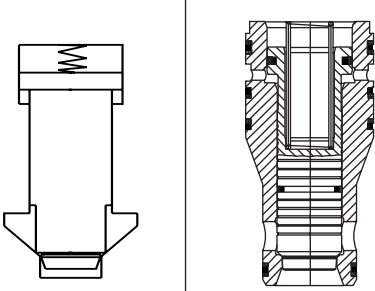
Symbol	Function	Size NG [mm]	Weight kg	Spring Rating bar	Part Designation	Part Number
		16	0,4	2,0	CHE16A6XT	XCBI0867-000-00
				4,0	CHE16A6XU	XCBI0868-000-00
				6,0	CHE16A6XV	XCBI0869-000-00
		25	0,8	2,0	CHE25A6XT	XCBI0879-000-00
				4,0	CHE25A6XU	XCBI0880-000-00
				6,0	CHE25A6XV	XCBI0881-000-00
		32	1,5	2,0	CHE32A6XT	XCBI0887-000-00
				4,0	CHE32A6XU	XCBI0888-000-00
		40	3,2	2,0	CHE40A6XT	XCBI1105-000-00
4,0	CHE40A6XU			XCBI1106-000-00		
50	5,5	2,0	CHE50A6XT	XCBI0902-000-00		
		4,0	CHE50A6XU	XCBI0903-000-00		
63	11,2	2,0	CHE63A6XT	XCBI0911-000-00		
		4,0	CHE63A6XU	XCBI0912-000-00		
80	24,1	2,0	CHE80A6XT	XCBI1161-000-00		
		4,0	CHE80A6XU	XCBI1162-000-00		
100	39,2	2,0	CHE100A6XT	XCBI0924-000-00		
		4,0	CHE100A6XU	XCBI1026-000-00		

S-Cone for Directional Control

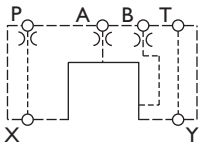
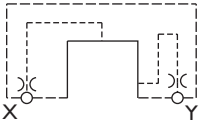
Symbol	Function	Size NG [mm]	Weight kg	Spring Rating bar	Part Designation	Part Number
		16	0,4	2,0	CHE16A6ST	XEB10871-000-00
				4,0	CHE16A6SU	XEB10872-000-00
				6,0	CHE16A6SV	XEB10873-000-00
		25	0,8	2,0	CHE25A6ST	XCB10002-000-00
				4,0	CHE25A6SU	XCB10003-000-00
				6,0	CHE25A6SV	XCB10004-000-00
		32	1,5	2,0	CHE32A6ST	XCB10890-000-00
				4,0	CHE32A6SU	XCB10891-000-00
		40	3,2	2,0	CHE40A6ST	XCB10896-000-00
4,0	CHE40A6SU			XCB10897-000-00		
50	5,5	2,0	CHE50A6ST	XCB10905-000-00		
		4,0	CHE50A6SU	XCB10906-000-00		
63	11,2	2,0	CHE63A6ST	XCB10914-000-00		
		4,0	CHE63A6SU	XCB10915-000-00		
80	24,1	2,0	CHE80A6ST	XCB10920-000-00		
		4,0	CHE80A6SU	XCB11078-000-00		
100	39,2	2,0	CHE100A6ST	XCB10926-000-00		
		4,0	CHE100A6SU	XCB11027-000-00		

Standard Models

T-Cone for Directional Control

Symbol	Function	Size NG [mm]	Weight kg	Spring Rating bar	Part Designation	Part Number
		16	0,4	2,0	CHE16A6TT	XCBI0875-000-00
				4,0	CHE16A6TU	XCBI0876-000-00
				6,0	CHE16A6TV	XCBI0877-000-00
		25	0,8	2,0	CHE25A6TT	XCBI0883-000-00
				4,0	CHE25A6TU	XCBI0884-000-00
				6,0	CHE25A6TV	XCBI0885-000-00
		32	1,5	2,0	CHE32A6TT	XCBI0893-000-00
				4,0	CHE32A6TU	XCBI0894-000-00
		40	3,2	2,0	CHE40A6TT	XCBI0899-000-00
4,0	CHE40A6TU			XCBI0900-000-00		
50	5,5	2,0	CHE50A6TT	XCBI0908-000-00		
		4,0	CHE50A6TU	XCBI0909-000-00		
63	11,2	2,0	CHE63A6TT	XCBI0917-000-00		
		4,0	CHE63A6TU	XCBI0918-000-00		
80	24,1	2,0	CHE80A6TT	XCBI0922-000-00		
		4,0	CHE80A6TU	XCBI1079-000-00		
100	39,2	2,0	CHE100A6TT	XCBI1405-000-00		
		4,0	CHE100A6TU	XCBI1406-000-00		

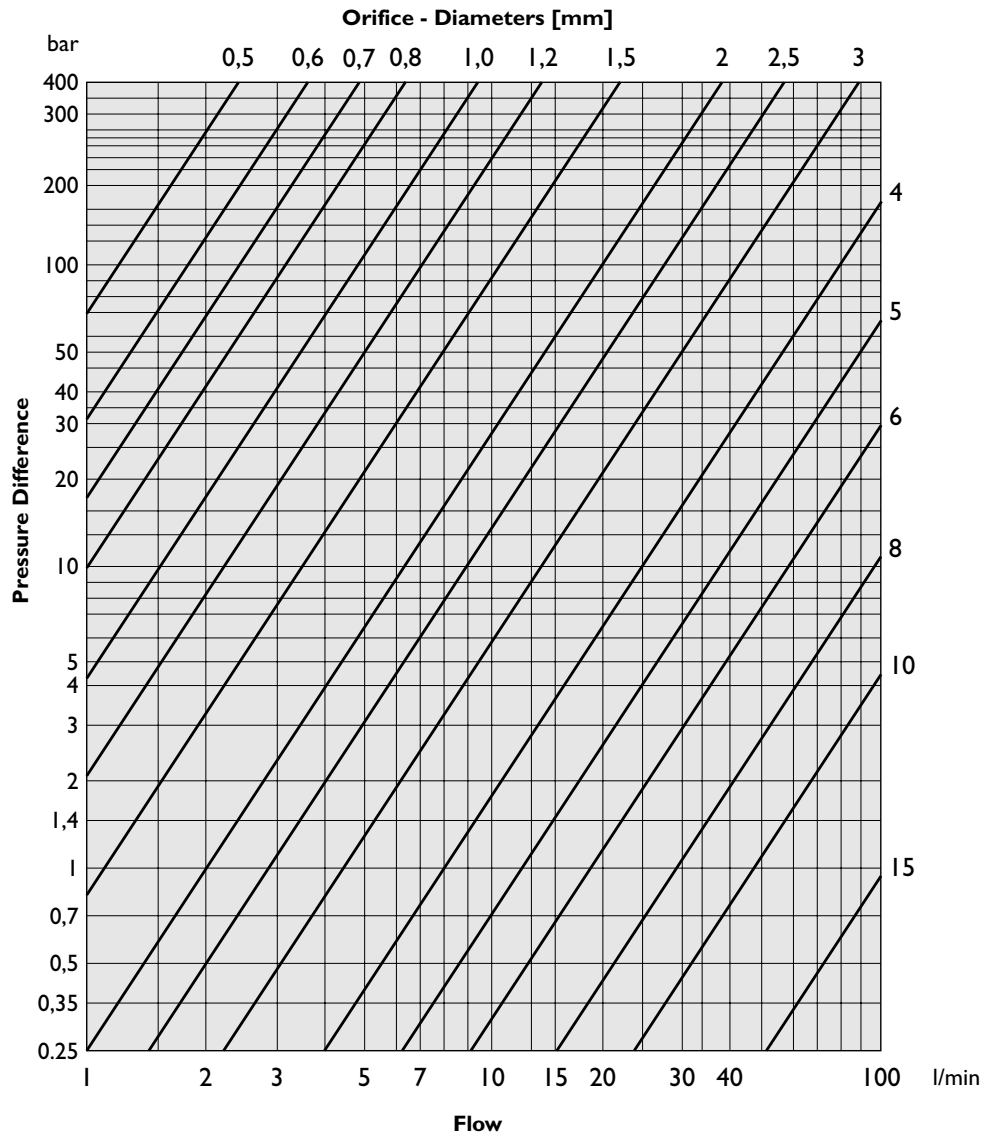
Covers

Symbol	Function	Size NG [mm]	Weight lb (kg)	Part Designation	Part Number
	<p>RHI</p> <p>Normally Open or Normally Closed</p>	16	4,0	CCE16A6RH1X06	XEB14151-000-01
		25	6,0	CCE25A6RH1X06	XEB13343-000-01
		32	8,0	CCE32A6RH1X06	XEB12705-000-01
		40	13,0	CCE40A6RH1X06	XEB13558-000-01
		50	21,0	CCE50A6RH1X10	XEB12603-000-01
		63	39,0	CCE63A6RH1X10	XEB13861-000-01
		80	57,0	CCE80A6RH1X10	XEB13959-000-01
		100	86,0	CCE100A6RH1X10	XEB14346-000-01
	<p>RH3</p> <p>Externally Piloted</p>	16	2,0	CCE16A6RH3X	XEB14065-000-01
		25	4,0	CCE25A6RH3X	XEB14150-000-01
		32	6,0	CCE32A6RH3X	XEB13410-000-01
		40	10,0	CCE40A6RH3X	XEB13287-000-01
		50	18,0	CCE50A6RH3X	XEB12923-000-01
		63	36,0	CCE63A6RH3X	XEB14463-000-01
		80	57,0	CCE80A6RH3X	XEB13462-000-01
100	60,0	CCE100A6RH3X	XEB14040-000-01		

Typical Orifice Characteristics

The function and switching velocity of a cartridge-valve can be influenced by changes in the metering-in and metering-out flow through the pilot lines. This could be realized by changing mounting orifices as required.

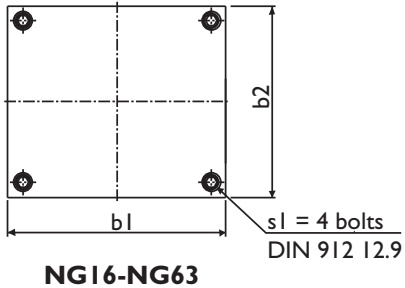
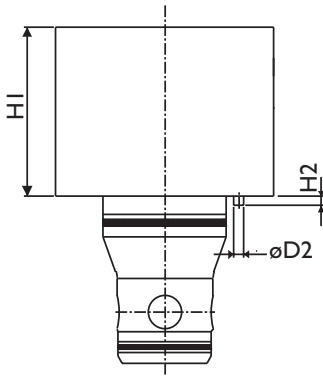
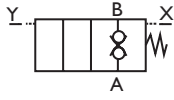
The following diagram should be used for selecting the correct orifice diameter.



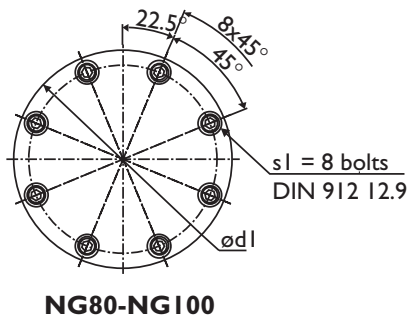
Viscosity : $35 \text{ mm}^2 \cdot \text{s}^{-1}$ [cSt]

Oil temperature : 50°C

Hydraulically Operated Valves



Dimensions mm		NG16	NG25	NG32	NG40	NG50	NG63
H1		65	65	80	80	120	140
H2		5	5	5	5	6	6
D2		5	5	5	5)	6	6
b1		65	85	102	125	140	180
b2		65	85	102	125	140	180
s1	UNC	$\frac{5}{16}'' \times 2\frac{3}{4}''$	$\frac{1}{2}'' \times 2\frac{3}{4}''$	$\frac{5}{8}'' \times 3\frac{1}{4}''$	$\frac{3}{4}'' \times 3\frac{1}{2}''$	$\frac{3}{4}'' \times 5.0''$	$1\frac{1}{4}'' \times 6.0''$
	Metric	M8X70	M12X65	M16X80	M20X90	M20X120	M30X150
Tightening Torque	ftlb	23	75	225	413	413	1350
	Nm	30	100	300	550	550	1800

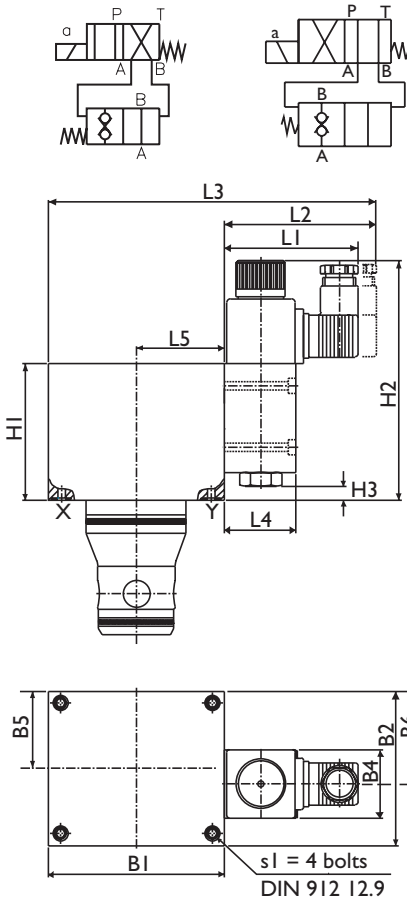


Dimensions mm		NG80	NG100
d1		250	300
H1		150	160
H2		6	6
D2		8	8
s1	UNC	$1'' \times 6\frac{1}{2}''$	$1\frac{1}{4}'' \times 6\frac{1}{2}''$
	Metric	M24X150	M30X160
Tightening Torque	ftlb	675	1350
	Nm	900	1800

Note: Fastening screws are not part of the delivery.

Dimensions

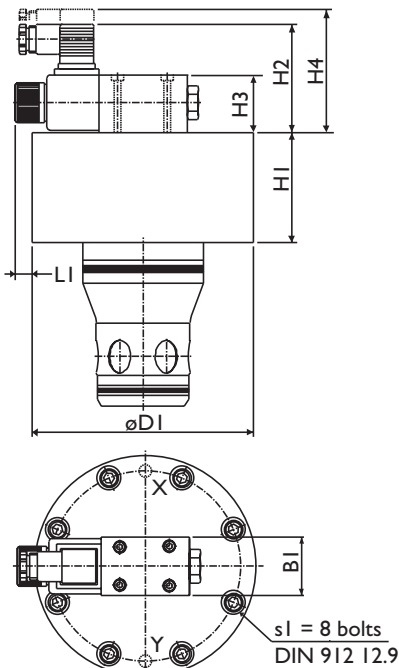
Solenoid Operated Valves



NG16-NG63

Dimensions mm		NG16	NG25	NG32	NG40	NG50	NG63
H1		90	90	90	90	120	140
H2		166	166	166	166	228	228
H3		8	8	8	8	5	5
L1		93	93	93	93	120	120
L2		105	105	105	105	132	132
L3		190	205	221	251	292	336
L4		6	46	46	46	96	96
L5		42,5	50	58	73	80	100
la*		y	y	y	y	y	y
B1		85	100	116	146	160	200
B2		65	85	100	125	140	180
B4		46	46	46	46	70	70
B5		32,5	42,5	50	62,5	70	90
B6		32,5	42,5	60,4	62,5	71,6	90
s1	UNC	$\frac{5}{16}'' \times 3\frac{1}{2}''$	$\frac{1}{2}'' \times 3\frac{3}{4}''$	$\frac{5}{8}'' \times 3\frac{3}{4}''$	$\frac{3}{4}'' \times 4''$	$\frac{3}{4}'' \times 4\frac{3}{4}''$	$1\frac{1}{4}'' \times 6,0''$
	Metric	M8X90	M12X90	M16X90	M20X100	M20X130	M30X150
Tightening Torque	ft lb	23	75	225	413	413	1350
	Nm	30	100	300	550	550	1800

*la = Mounted side of pilot valve



NG80-NG100

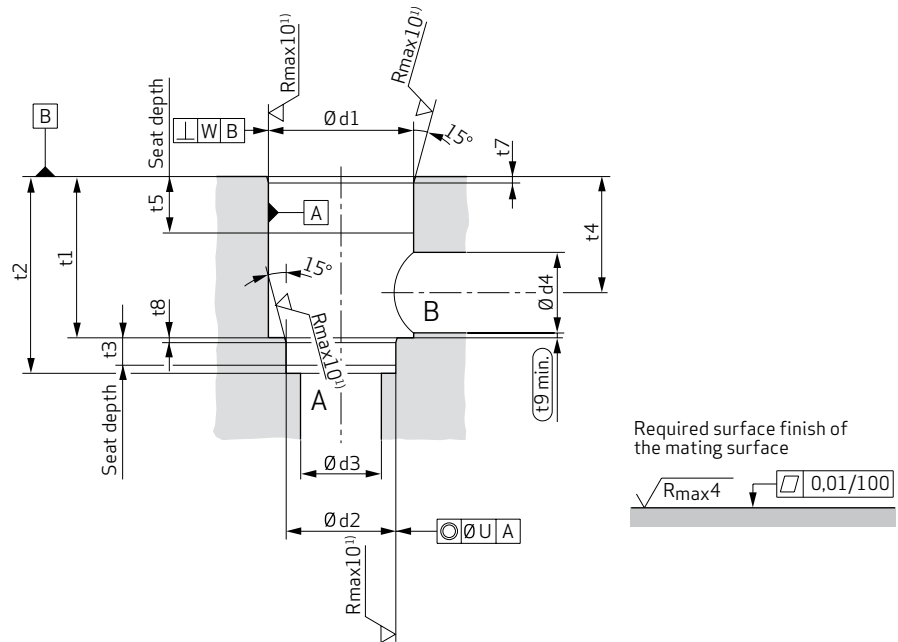
Dimensions in (mm)		NG80	NG100
D1		250	300
H1		150	160
H2		111	111
H3		70	70
H4		123	123
L1		44	19
B1		70	70
s1	UNC	$1'' \times 6\frac{1}{2}''$	$1\frac{1}{4}'' \times 6\frac{1}{2}''$
	Metric	M24X150	M30X160
Tightening Torque	ft lb	675	1350
	Nm	900	1800

Note: Fastening screws are not part of the delivery.

INSTALLATION DIMENSIONS

In Accordance with ISO 7386:1989-08

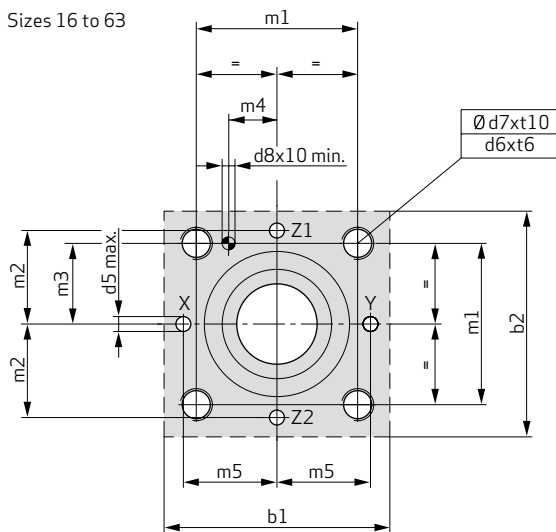
Cartridge Cavity



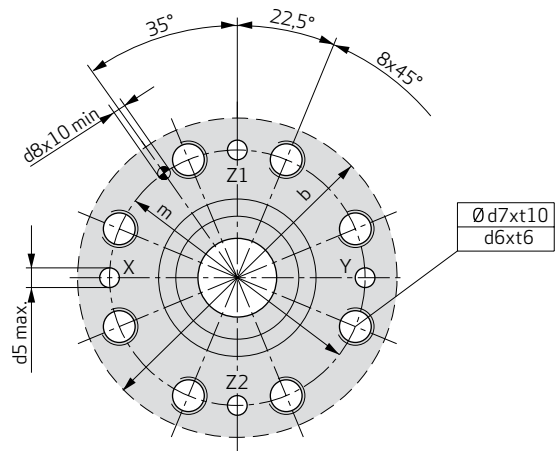
1) Recommendation deviates from the standard

Bolt and Port Pattern

Sizes 16 to 63



Sizes 80 and 100



INSTALLATION DIMENSIONS

In Accordance with ISO 7386:1989-08

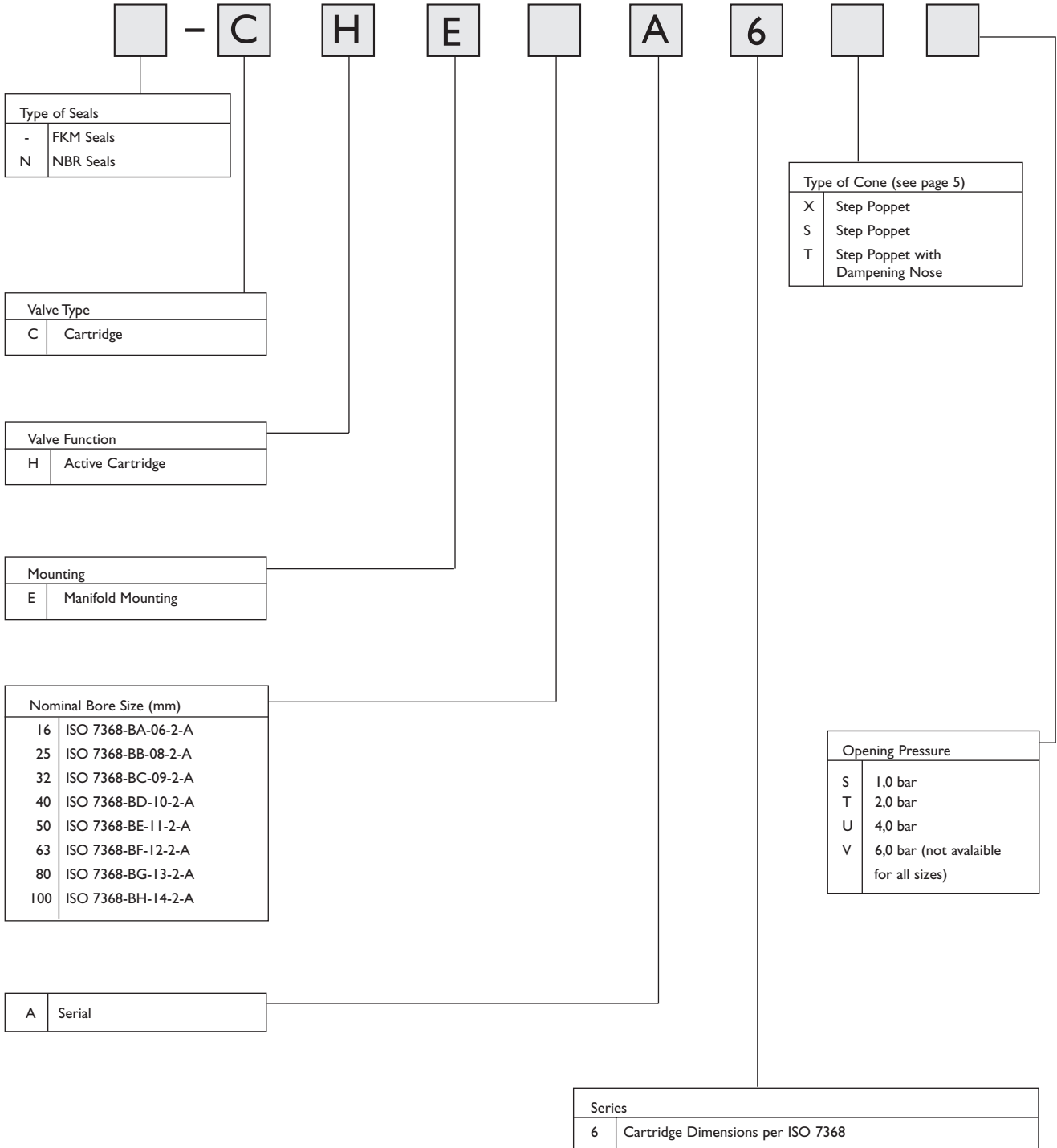
ND	16 mm	25 mm	32 mm	40 mm	50 mm	63 mm
b1	65 (2.56)	85 (3.35)	102 (4.02)	125 (4.92)	140 (5.51)	200 (7.87)
b2	65 (2.56)	85 (3.35)	102 (4.02)	125 (4.92)	140 (5.51)	180 (7.09)
d1^{H7/1}	32 (1.26)	45 (1.77)	60 (2.36)	75 (2.95)	90 (3.54)	120 (4.72)
d2^{H7/1}	25 (0.98)	34 (1.34)	45 (1.77)	55 (2.17)	68 (2.68)	90 (3.54)
d3	16 (0.63)	25 (0.98)	32 (1.26)	40 (1.57)	50 (1.97)	63 (2.48)
d4	16 (0.63)	25 (0.98)	32 (1.26)	40 (1.57)	50 (1.97)	63 (2.48)
d4_{max.}¹⁾	25 (0.98)	32 (1.26)	40 (1.57)	50 (1.97)	63 (2.48)	80 (3.15)
d5_{max.}	4 (0.16)	6 (0.24)	8 (0.31)	10 (0.39)	10 (0.39)	12 (0.47)
d6	M8	M12	M16	M20	M20	M30
d7	6.8 (0.27)	10.2 (0.4)	14 (0.55)	17.5 (0.69)	17.5 (0.69)	26.5 (1.04)
d8^{H13}	4 (0.16)	6 (0.24)	6 (0.24)	6 (0.24)	8 (0.31)	8 (0.31)
m1^{±0.2}	46 (1.81)	58 (2.28)	70 (2.76)	85 (3.35)	100 (3.94)	125 (4.92)
m2^{±0.2}	25 (0.98)	33 (1.3)	41 (1.61)	50 (1.97)	58 (2.28)	75 (2.95)
m3^{±0.2}	23 (0.91)	29 (1.14)	35 (1.38)	42.5 (1.67)	50 (1.97)	62.5 (2.46)
m4^{±0.2}	10.5 (0.41)	16 (0.63)	17 (0.67)	23 (0.91)	30 (1.18)	38 (1.5)
m5^{±0.2}	25 (0.98)	33 (1.3)	41 (1.61)	50 (1.97)	58 (2.28)	75 (2.95)
t1^{±0.1}	43 (1.69)	58 (2.28)	70 (2.76)	87 (3.43)	100 (3.94)	130 (5.12)
t2^{±0.1}	56 (2.2)	72 (2.83)	85 (3.35)	105 (4.13)	122 (4.8)	155 (6.1)
t3	11 (0.43)	12 (0.47)	13 (0.51)	15 (0.59)	17 (0.67)	20 (0.79)
t4	34 (1.34)	44 (1.73)	52 (2.05)	64 (2.52)	72 (2.83)	95 (3.74)
t4 bei d4_{max.}¹⁾	29.5 (1.16)	40.5 (1.59)	48 (1.89)	59 (2.32)	65.5 (2.58)	86.5 (3.41)
t5	20 (0.79)	30 (1.18)	30 (1.18)	30 (1.18)	35 (1.38)	40 (1.57)
t6	14 (0.55)	20 (0.79)	26 (1.02)	33 (1.3)	33 (1.3)	50 (1.97)
t7	2 (0.08)	2.5 (0.1)	2.5 (0.1)	3 (0.12)	4 (0.16)	4 (0.16)
t8	2 (0.08)	2.5 (0.1)	2.5 (0.1)	3 (0.12)	3 (0.12)	4 (0.16)
t9	0.5 (0.02)	1.0 (0.04)	1.5 (0.06)	2.5 (0.1)	2.5 (0.1)	3 (0.12)
t10	17 (0.67)	24 (0.94)	31 (1.22)	38 (1.5)	38 (1.5)	56 (2.2)
U	0.03 (0)	0.03 (0)	0.03 (0)	0.05 (0)	0.05 (0)	0.05 (0)
W	0.05 (0)	0.05 (0)	0.1 (0)	0.1 (0)	0.1 (0)	0.2 (0.01)

ND	80 mm	100 mm
b_{max.}	250 (9.84)	300 (11.81)
d1^{H7/1}	145 (5.71)	180 (7.09)
d2^{H7/1}	110 (4.33)	135 (5.31)
d3	80 (3.15)	100 (3.94)
d4	80 (3.15)	100 (3.94)
d4_{max.}¹⁾	100 (3.94)	125 (4.92)
d5_{max.}	16 (0.63)	20 (0.79)
d6	M24	M30
d7	21 (0.83)	26.5 (1.04)
d8^{H13}	10 (0.39)	10 (0.39)
m^{±0.3}	200 (7.87)	245 (9.65)
t1	175 (6.89)	210 (8.27)
t2^{±0.2}	205 (8.07)	245 (9.65)
t3	25 (0.98)	29 (1.14)
t4	130 (5.12)	155 (6.1)
t4 bei d4_{max.}¹⁾	120 (4.72)	142.5 (5.61)
t5	40 (1.57)	50 (1.97)
t6	39 (1.54)	50 (1.97)
t7	5 (0.2)	5 (0.2)
t8	5 (0.2)	5 (0.2)
t9	3 (0.12)	5 (0.2)
t10	45 (1.77)	56 (2.2)
U	0.05 (0)	0.05 (0)
W	0.2 (0.01)	0.2 (0.01)

1) Recommendation deviates from the standard

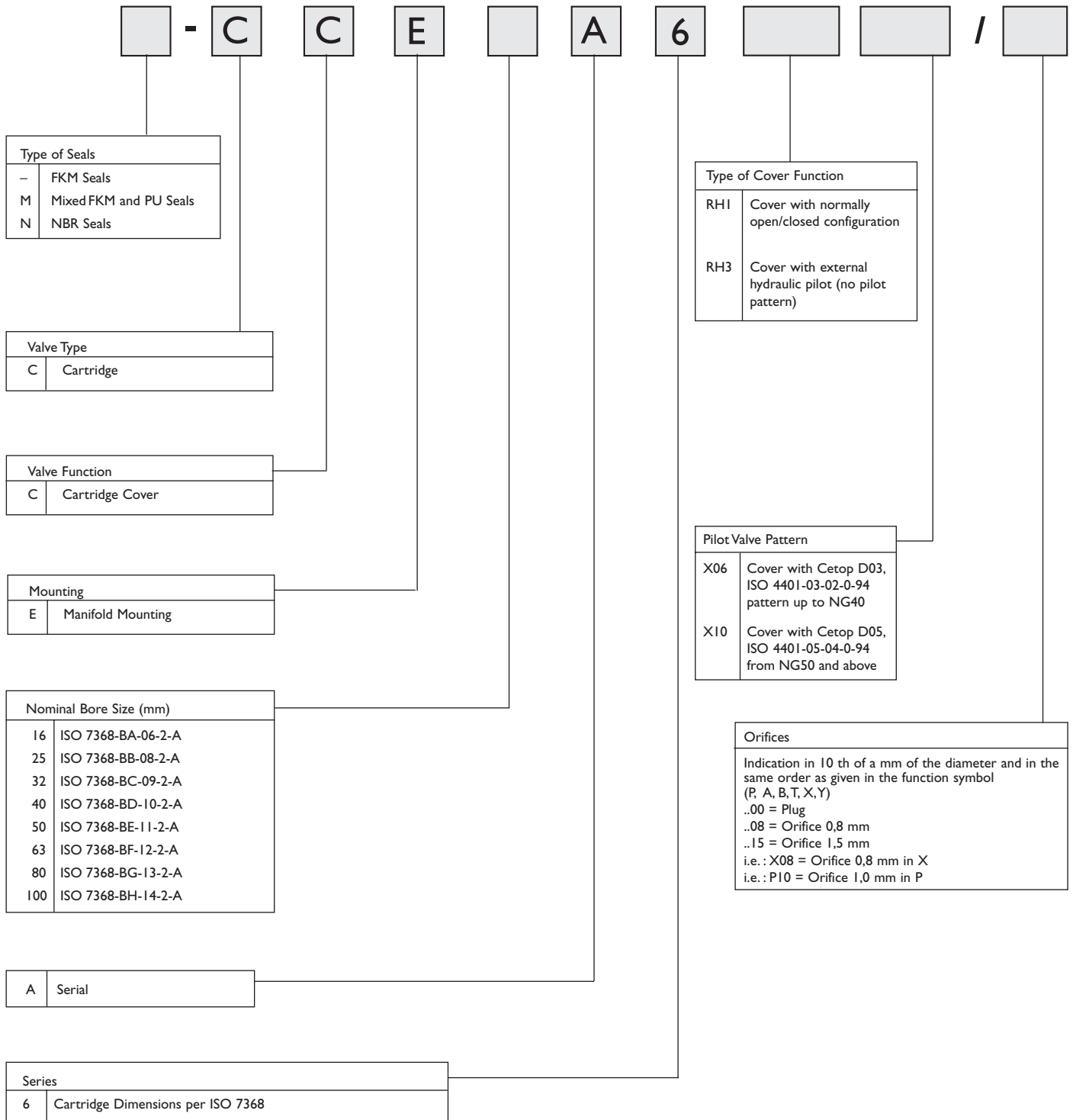
Note: Dimensions in mm (in)

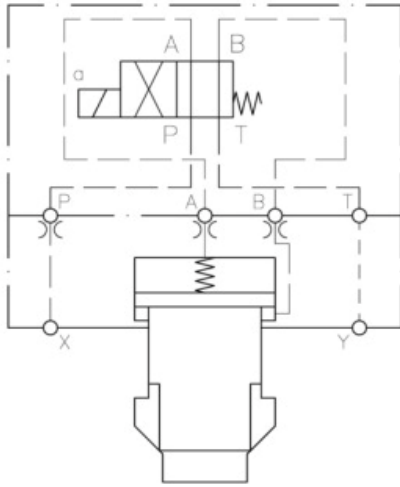
Active Cartridge (w/o cover)



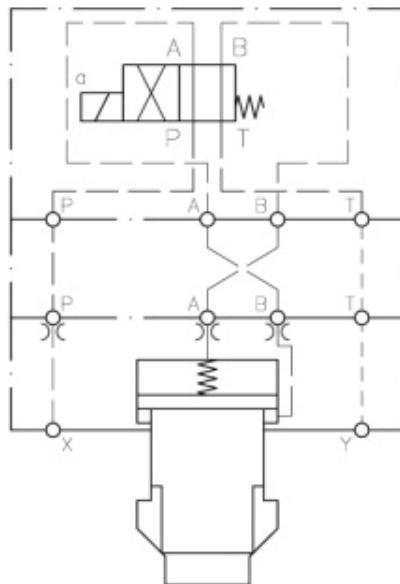
Ordering Information

Active Cartridge Covers

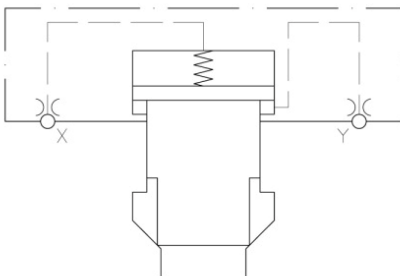




(Normally Closed - Energize solenoid to open)

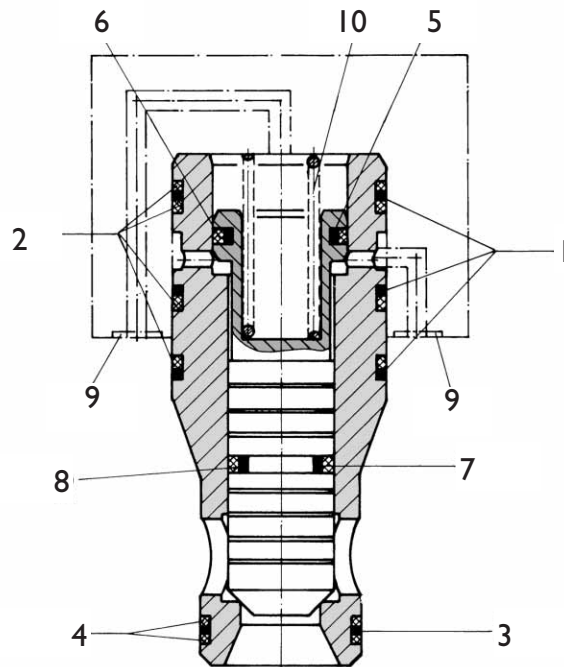


(Normally Open - Energize solenoid to close)



(externally hydraulically operated)

Spare Parts



Pos.	Designation	Order Number								
			NG16	NG25	NG32	NG40	NG50	NG63	NG80	NG100
	Seal Kit (FKM)	XEB	12240	12241	12242	12243	12244	12245	12246	12247
1	O-Ring 80 Shore (FKM)	X980-	02024	02129	02227	02231	02338	02347	02430	02439
2	Back-Up Ring	X780-	18024	18129	08227	18231	18338	08348	08431	18439
3	O-Ring 80 Shore (FKM)	X980-	02020	02122	02222	02225	02229	02338	02344	02427
4	Back-Up Ring	X780-	08020	18122	18222	18225	18229	18338	18344	18427
5	O-Ring 70 Shore (FKM)	X980-	02112	02116	02123	02222	02228	02336	02343	02425
6	Turcon Glyd Ring	X780-	40200	40280	40380	40500	40700	40900	41100	41330
7	O-Ring 70 Shore (FKM)	X980-	02109	02113	02118	02123	02224	02228	02335	02343
8	Turcon Glyd Ring	X780-	40160	40220	40300	40380	40550	40700	40850	41100
9	O-Ring 80 Shore (FKM)	X980-	02010	02012	02013	02112	02112	02116	02215	02220
	Springs									
10	Spring S - 1,0 bar	XEF	10006	10013	10138	10106	10037	10044	10051	10058
10	Spring T - 2,0 bar	XEF	10007	10014	10140	10105	10038	10045	10052	10059
10	Spring U - 4,0 bar	XEF	10008	10015	10191	10104	10173	10046	10052 10250	10059 10253
10	Spring V - 6,0 bar	XEF	10009	10015 10016	—	—	—	—	—	—

Order examples:

O-Ring Item 5 for NG25
Order number: X980-02116

Spring 2,0 bar Item 10 for NG25
Order number: XEF10014

TAKE A CLOSER LOOK.

Moog designs a range of motion control products that complement the performance of those featured in this catalog. Visit our website for more information and contact the Moog facility nearest you.

Argentina
+54 11 4326 5916
info.argentina@moog.com

India
+91 80 4057 6666
info.india@moog.com

Singapore
+65 677 36238
info.singapore@moog.com

Australia
+61 3 9561 6044
info.australia@moog.com

Ireland
+353 21 451 9000
info.ireland@moog.com

South Africa
+27 12 653 6768
info.southafrica@moog.com

Brazil
+55 11 3572 0400
info.brazil@moog.com

Italy
+39 0332 421 111
info.italy@moog.com

Spain
+34 902 133 240
info.spain@moog.com

Canada
+1 716 652 2000
info.canada@moog.com

Japan
+81 46 355 3767
info.japan@moog.com

Sweden
+46 31 680 060
info.sweden@moog.com

China
+86 21 2893 1600
info.china@moog.com

Korea
+82 31 764 6711
info.korea@moog.com

Switzerland
+41 71 394 5010
info.switzerland@moog.com

Finland
+358 10 422 1840
info.finland@moog.com

Luxembourg
+352 40 46 401
info.luxembourg@moog.com

Turkey
+90 216 663 6020
info.turkey@moog.com

France
+33 1 4560 7000
info.france@moog.com

The Netherlands
+31 252 462 000
info.thenetherlands@moog.com

United Kingdom
+44 (0) 1684 858000
info.uk@moog.com

Germany
+49 7031 622 0
info.germany@moog.com

Norway
+47 6494 1948
info.norway@moog.com

USA
+1 716 652 2000
info.usa@moog.com

Hong Kong
+852 2 635 3200
info.hongkong@moog.com

Russia
+7 8 31 713 1811
info.russia@moog.com

www.moog.com/industrial

Moog is a registered trademark of Moog Inc. and its subsidiaries. All trademarks as indicated herein are the property of Moog Inc. and its subsidiaries.

©2014 Moog Inc. All rights reserved. All changes are reserved.

Active Cartridge CHE
X999-02003